

ZMD31014

ZMDI[®]

The Analog Mixed Signal Company

RBic_{iLite}[™] Low-Cost Sensor Signal Conditioner with I²C & SPI



Brief Description

The RBic_{iLite}[™] is a CMOS integrated circuit for highly accurate amplification and analog-to-digital conversion of differential and half-bridge input signals. The RBic_{iLite}[™] can compensate the measured signal for offset, 1st and 2nd order span, and 1st and 2nd order temperature (Tco and Tcg). It is well-suited for sensor-specific correction of bridge sensors. Digital compensation of signal offset, sensitivity, temperature drift, and non-linearity is accomplished via an internal digital signal processor running a correction algorithm with calibration coefficients stored in a non-volatile EEPROM.

The RBic_{iLite}[™] is adjustable to nearly all piezo-resistive bridge sensors. Measured and corrected bridge values are provided at digital output pins, which can be configured as I²C or SPI. The digital I²C interface can be used for a simple PC-controlled calibration procedure to program calibration coefficients into an on-chip EEPROM. The calibrated RBic_{iLite}[™] and a specific sensor are mated digitally: fast, precise, and without the cost overhead associated with trimming by external devices or laser trimming.

Integrated diagnostics functions make the RBic_{iLite}[™] particularly well-suited for safety-critical applications.

Features

- High accuracy ($\pm 0.1\%$ FSO @ -25 to +85°C; $\pm 0.25\%$ FSO @ -40 to +125°C)
- 2nd order charge-balancing analog-to-digital converter provides low noise, 14-bit data at sample rates exceeding 2kHz
- Fast power-up to data output response: 3ms at 4MHz
- Digital compensation of sensor offset, sensitivity, temperature drift, and non-linearity
- Eight programmable analog gain settings combine with a digital gain term; accommodates bridges with spans <1mV/V and high offset
- Internal or optional external temperature compensation for sensor correction and for corrected temperature output
- 48-bit customer ID field for module traceability

Benefits

- Simple PC-controlled configuration and single-pass digital calibration via I2C interface – quick, precise, and low cost; SPI option for measurement
- Eliminates need for external trimming
- Comprehensive diagnostic features add safety to the application (e.g., EEPROM signature, bridge connection checks, bridge short detection).
- Low-power Sleep Mode lengthens battery life
- Enables multiple sensor networks

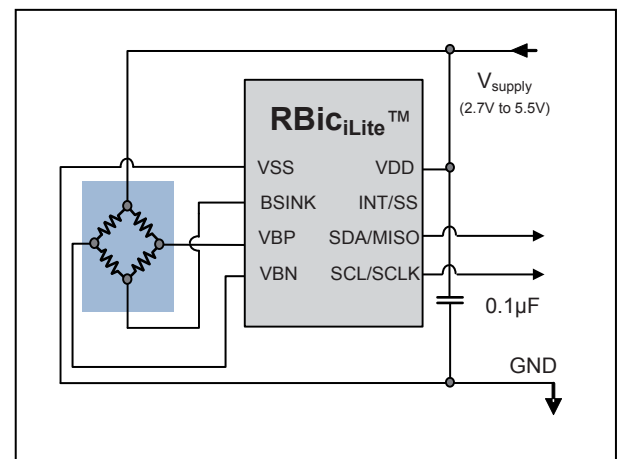
Available Support

- Evaluation Kit
- Application Notes
- Mass Calibration Solution

Physical Characteristics

- Wide supply voltage capability: 2.7V to 5.5V
- Current consumption as low as 70µA depending on programmed sample rate
- Low-power Sleep Mode (<2µA @ 25°C)
- Operation temperature: -40°C to +125°C
- Small SOP8 package

ZMD31014 Application: I²C Interface, Low Power Bsink Option, Internal Temperature Correction



ZMD31014



The Analog Mixed Signal Company

RBic_iLite™ Low-Cost Sensor Signal Conditioner with I²C & SPI



ZMD31014 Block Diagram

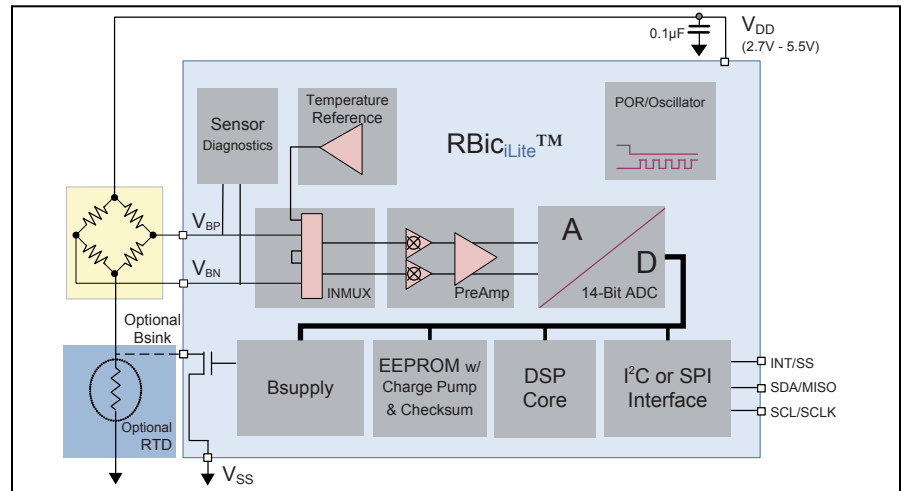
Applications

Industrial: building automation, dataloggers, pressure meters, leak detection monitoring

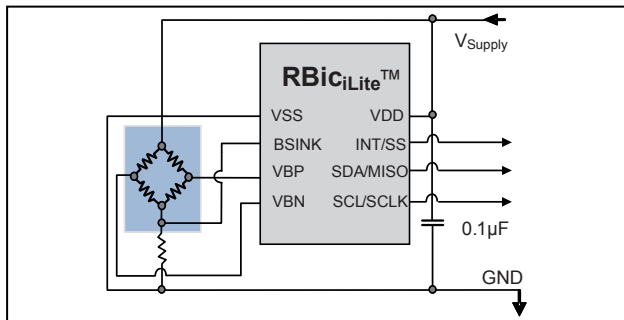
Medical: infusion pumps, blood pressure meters, air mattresses, apnea monitors

White Goods / Appliances: fluid level, refrigerant

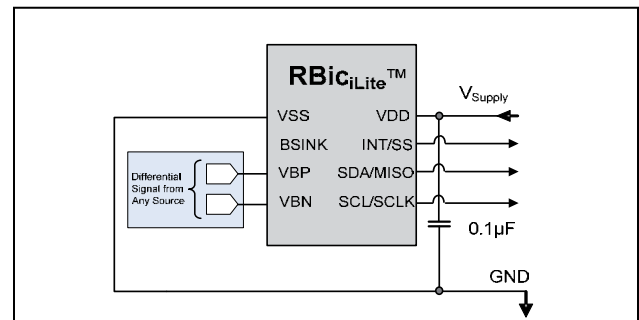
Consumer: body monitors, portable monitors, desktop weather stations, bathroom scales, toys/games



Application: Bridge TC Used for External Temperature



Application: Generic Differential A2D Converter



Ordering Information

Sales Code	Description	Package
ZMD31014DAB	ZMD31014 RBic _i Lite™ Die — Temperature range: -40°C to +125°C	Unsawn on Wafer
ZMD31014DAC	ZMD31014 RBic _i Lite™ Die — Temperature range: -40°C to +125°C	Sawn on Wafer Frame
ZMD31014DAD	ZMD31014 RBic _i Lite™ Die — Temperature range: -40°C to +125°C	Waffle Pack
ZMD31014DAG1	ZMD31014 RBic _i Lite™ SOP8 (150 mil) — Temperature range: -40° to +125°C	Tube: add "-T" to sales code Reel: add "-R"
ZMD31014KIT	ZMD31014 SSC Evaluation Kit: Communication Board, SSC Board, Sensor Replacement Board, Software, USB Cable, 5 IC Samples	Kit

Sales and Further Information

www.zmdi.com

sales@zmdi.com

Zentrum Mikroelektronik Dresden AG (ZMD AG)
Grenzstrasse 28
01109 Dresden
Germany

Phone +49 (0)351.8822.7.772
Fax +49(0)351.8822.87.772

ZMD America, Inc.
8413 Excelsior Drive
Suite 200
Madison, WI 53717
USA

Phone +01 (608) 829-1987
Fax +01 (631) 549-2882

ZMD AG, Japan Office
2nd Floor, Shinbashi Tokyu Bldg.
4-21-3, Shinbashi, Minato-ku
Tokyo, 105-0004
Japan

Phone +81.3.6895.7410
Fax +81.3.6895.7301

ZMD Far East, Ltd.
3F, No. 51, Sec. 2,
Keelung Road
11052 Taipei
Taiwan

Phone +886.2.2377.8189
Fax +886.2.2377.8199

DISCLAIMER: This information applies to a product under development. Its characteristics and specifications are subject to change without notice. Zentrum Mikroelektronik Dresden AG (ZMD AG) assumes no obligation regarding future manufacture unless otherwise agreed to in writing. The information furnished hereby is believed to be true and accurate. However, under no circumstances shall ZMD AG be liable to any customer, licensee, or any other third party for any special, indirect, incidental, or consequential damages of any kind or nature whatsoever arising out of or in any way related to the furnishing, performance, or use of this technical data. ZMD AG hereby expressly disclaims any liability of ZMD AG to any customer, licensee or any other third party, and any such customer, licensee and any other third party hereby waives any liability of ZMD AG for any damages in connection with or arising out of the furnishing, performance or use of this technical data, whether based on contract, warranty, tort (including negligence), strict liability, or otherwise.